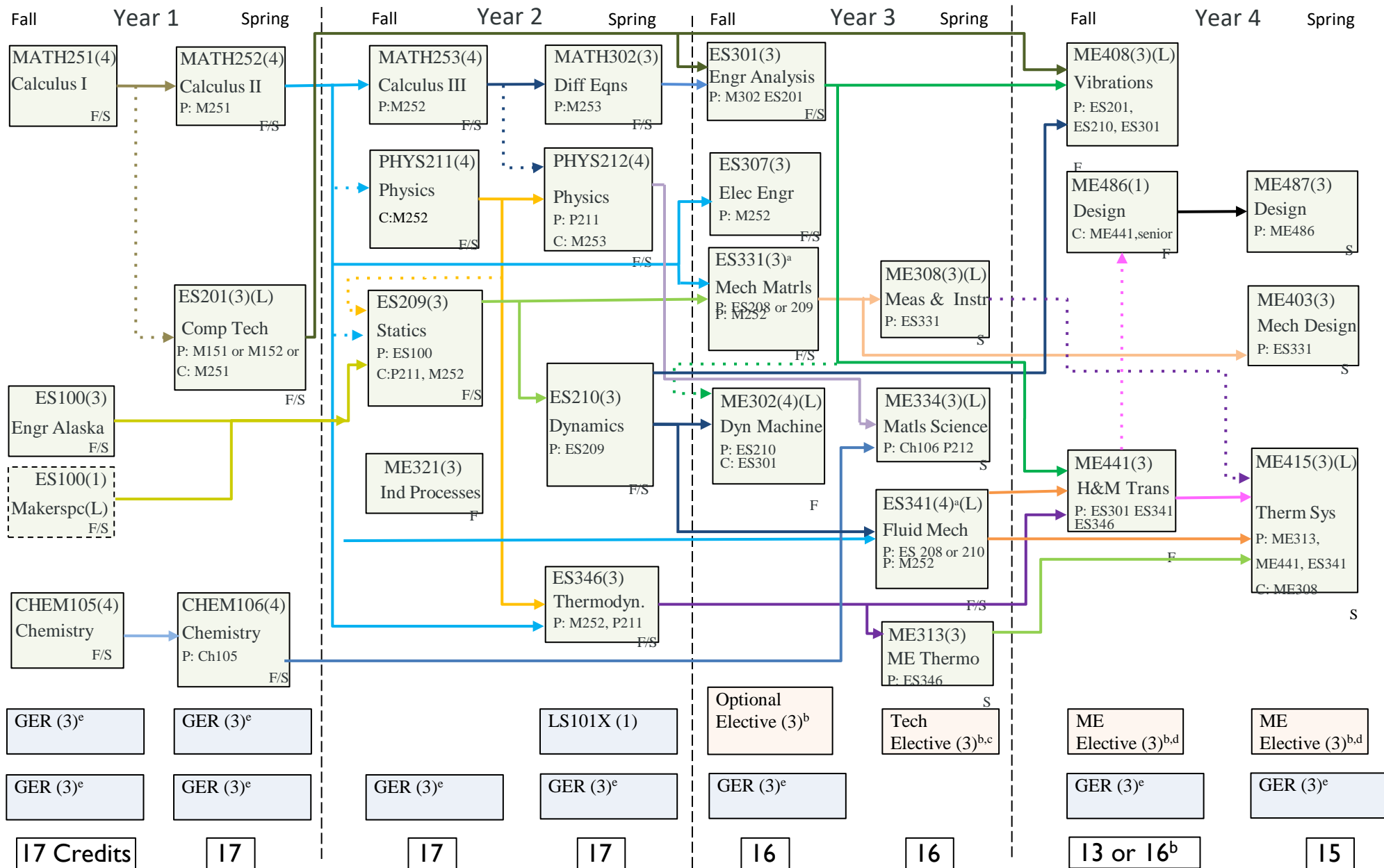


# Mechanical Engineering at UAF



a = For aerospace option, ES301 and ES341 in year 3 may need to be swapped to meet ME450 co-requisite.

b = Aerospace & Petroleum Concentrations require an additional elective (4 total):

- For aerospace option, electives must be ME450, ME451, ME452, and ME453.
- For petroleum option, electives must be ME409, ME416, ME464, and PETE426.

c = Must be 400-level, or higher, engineering course (except CE 403/603).

d = Must be 400-level Mechanical Engineering course

e = General Education and Ethics Requirements

last modified Mar 28, 2023

## LEGEND

