

FLOWCHART

BSEE Requirements

First Year

Second Year

Third Year

Fourth Year

Fall

Spring

Fall

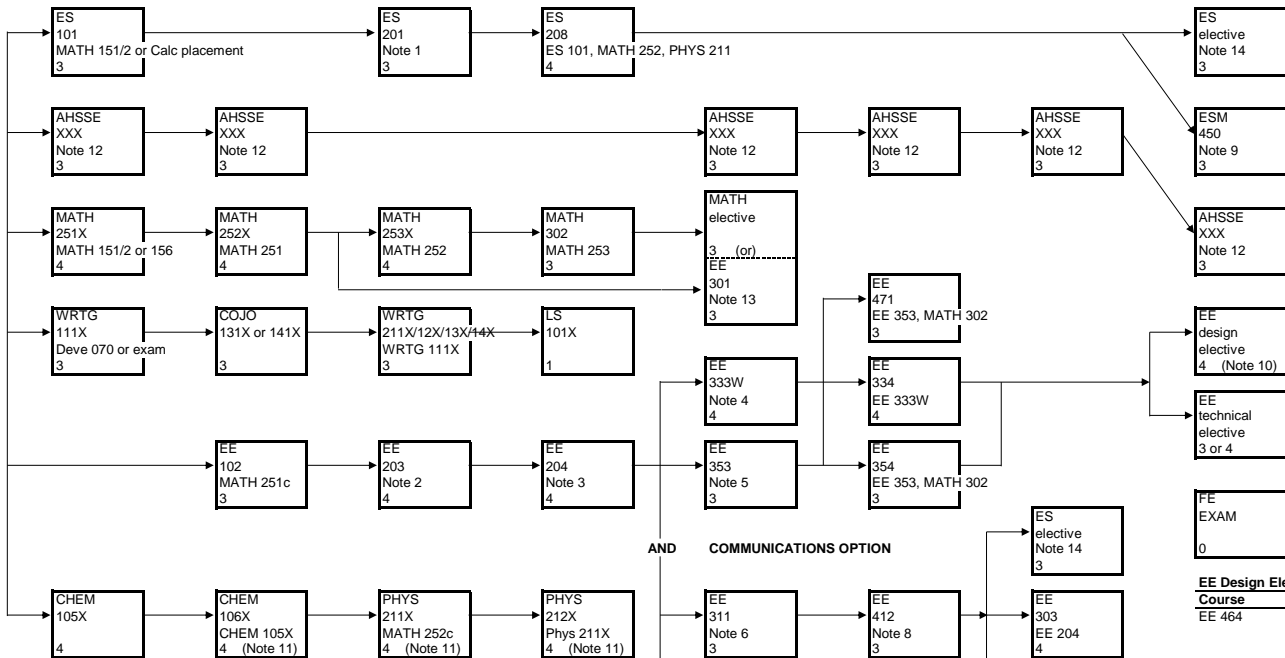
Spring

Fall

Spring

Fall

Spring



Legend
 Department
 Course Number
 Prerequisites (a "c" indicates a co-requisite)
 Credit Hours

Notes

- ES 201 pre/co-requisites: MATH 151, 152 or MATH 251c
- EE 203 pre/co-requisites: EE 102; MATH 251, MATH 252c
- EE 204 pre/co-requisites: EE 203; MATH 252, MATH 253c
- EE 333 prerequisites: EE 204; WRTG 111X; WRTG 211X/12X/13X/14X
- EE 353 pre/co-requisites: EE 204; ES201; MATH 253, MATH 302c
- EE 311 pre/co-requisites: EE 204; MATH 202 or 253; PHYS 212, MATH 302c
- EE 343 pre/co-requisites: ES 201, EE 204, EE 333c
- EE 412 prerequisites: EE 311, EE 331, MATH 302
- ESM 450 prerequisites: WRTG 111X, WRTG 211X/12X/13X/14X, ES 201, Sr. standing
- EE Design elective prerequisites include: COJO 131X/141X, WRTG 111X, and WRTG 211X/12X/13X/14X
- It is possible to take CHEM 105, PHYS 211X, 212X, 213X for the Natural Sciences requirement
- AHSSE = Arts, Humanities, Social Sciences and Ethics courses (6 courses)
 1 Arts, 1 Humanities, 2 Soc Sciences, 1 Art or Hum or SS, 1 Ethics
 One of the AHSSE courses needs to be an Alaska Native 3 credit course if using Catalog Year 2019-2020 or newer
- EE 301: EE and CpE math applications course which can be substituted for the MATH elective prerequisite: MATH 252
- ES elective to be chosen from ES 331, ME 334, ES 341 and ES 346.

Math Sequence

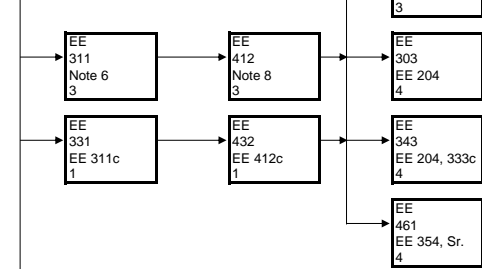
- 251 Calculus I
- 252 Calculus II
- 253 Calculus III
- 302 Differential Equations

Alaska Native Themed Courses (also satisfy 1 AHSSE requirement)

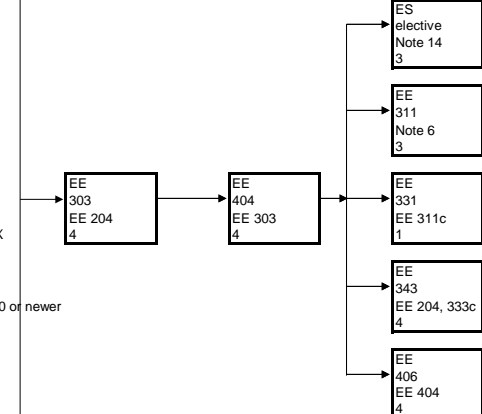
- Arts: ANS/FLPA F161X, ANS F202X, ANS/ACNS/MUS F233X
- Humanities: ANL F141X, ANLF142X, ANL F251X, ANL F255X
- Social Science: ANS F111X, ANS F242X, ECON F111X*

* Recommend ECON F111X if it fits in schedule.

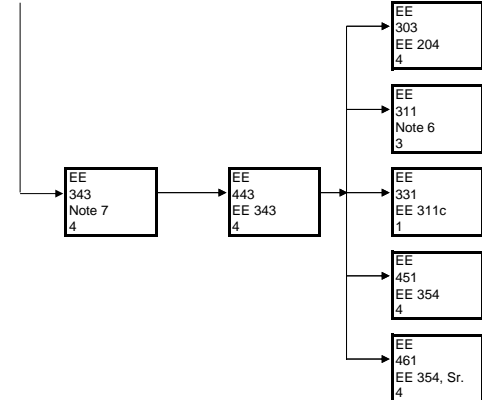
AND COMMUNICATIONS OPTION



OR POWER AND CONTROL OPTION



OR COMPUTER ENGINEERING OPTION



EE Design Elective (COMM)

Course	Cr. Hrs.	Semester
EE 464	4	Spring

EE Tech Elective Options (COMM)

Course	Cr. Hrs.	Semester
EE 404	4	Spring
EE 443	4	Spring
EE 451	4	Fall

EE Design Elective (POW)

Course	Cr. Hrs.	Semester
EE 408	4	Spring

EE Tech Elective Options (POW)

Course	Cr. Hrs.	Semester
EE 412	3	Spring
EE 443	4	Spring
EE 451	4	Fall
EE 461	4	Fall
EE 463	3	Spring

EE Design Elective (COMP)

Course	Cr. Hrs.	Semester
EE 444	4	Spring

EE Tech Elective Options (COMP)

Course	Cr. Hrs.	Semester
EE 404	4	Spring
EE 412	3	Spring
EE 463	3	Spring